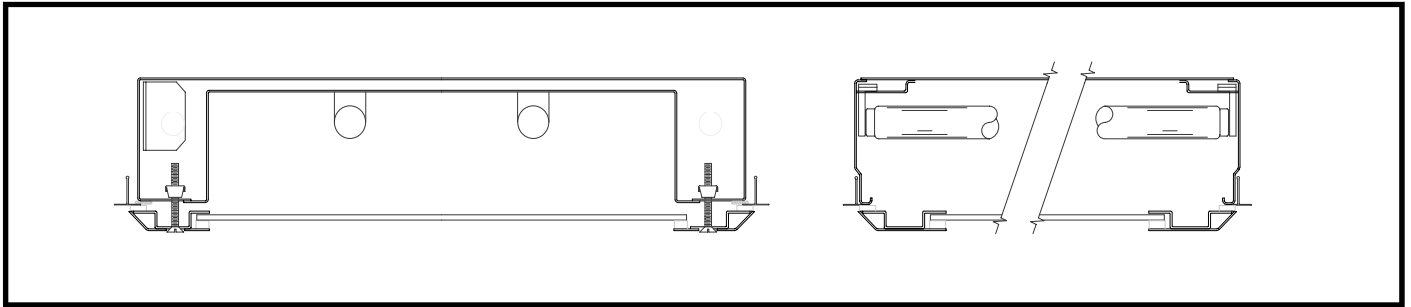


FLOW-THRU CLEAN ROOM LUMINARIES



FT SERIES

Isolation Systems, Inc. offers this two foot by four foot, four-tube luminaire for installation directly below HEPA-filtered laminar flow sources. This luminaire allows laminar air streams to pass through its housing without air-flow disruption. Specifically designed for installation below our FFU Series ceiling-mounted filtration units. This product enables full filter coverage within your clean area while providing full illumination below. Fabricated of 20 ga. CRS with white polyurethane finish, it is fully gasketed at both grid and filter contact points. Our flow-thru luminaire will provide contaminant-free lighting for your full coverage laminar flow environment. This product has been manufactured to the highest quality standards, and we assure your satisfaction.

Thank you for considering **Isolation Systems, Inc.** for your airborne contamination control needs.

STANDARD FEATURES:

- Die form 20 ga. CRS with white polyurethane finish.
- Door frame - 1/2" open egg-crate for free air flow.
- Ballast-rapid start-HPF, CBMETL-Class P energy saving.
- Neoprene closed-cell gasketing for all contact surfaces.

OPTIONAL FEATURES:

- 100% 304 or 316 stainless steel construction with #4 finish.
- Emergency battery pack.
- G.E. Maximizer II ballast.
- Gel-seal configured.

NOTES:

- This system meets or exceeds standards as specified in Fed. Std. 209 E and IES-RP-CC-002.
- **Isolation Systems, Inc.** inspection reports available upon request.
- Approval drawings available upon request.
- UL listed.

MODEL #	LAMPS	VOLTAGE	DIMENSIONS
FT-22-GFX	420	115/277	24" x 24" x 4 7/8"
FT-24-GFX	440	115/277	24" x 48" x 4 7/8"
FT25-GFX	440	115/277	24" x 60" x 4 7/8"
FT-26-GFX	440	115/277	24" x 72" x 4 7/8"

All information herein is subject to change without notice.

All catalog dimensions are nominal.

